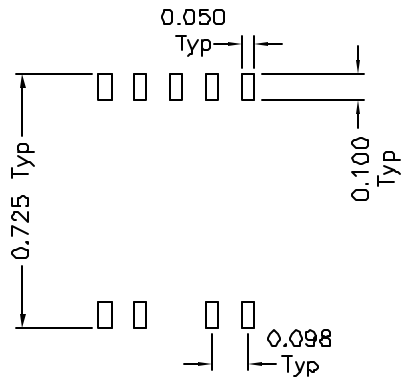
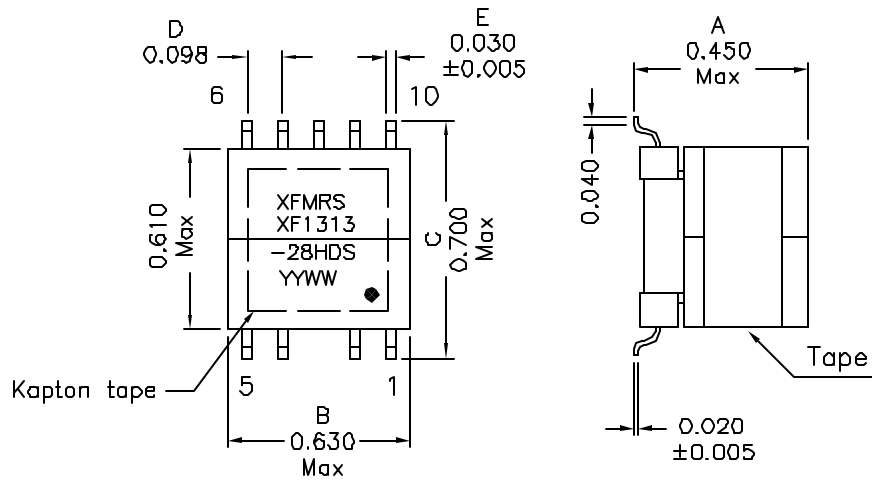


1. Mechanical Dimensions:



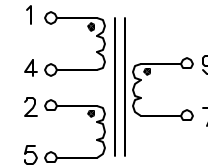
Suggested PCB Layout

Notes:

- Solderability: Leads shall meet MIL-STD-202G, Method 208H for solderability.
- Flammability: UL94V-0
- ASTM oxygen index: > 28%
- Insulation System: Class F 155°C, UL file E151556
- Operating Temperature Range: All listed parameters are to be within tolerance from -40°C to +85°C
- Storage Temperature Range: -55°C to +125°C
- Aqueous wash compatible
- SMD Lead Coplanarity: ±0.004*(0.102mm)
- Electrical and mechanical specifications 100% tested
- RoHS Compliant Component

DOC. REV B/3

2. Schematic:



3. Electrical Specifications: @25°C

OCL: Pins 1-5 2.0mH ±6% @10KHz 0.1V, 0/160mADC (tie 2+4), Ls.

Q: Pins 1-5 10 Min @10KHz 0.1V (tie 2+4)

LL: Pins 1-5 30uH Max @100KHz 100mV (tie 2+4, 7+9), Ls.

URNS RATIO: (1-5):(9-7)=2:1±1%

DC Res.: Pins 1-4 2.5 Ohms±10%

Pins 2-5 2.5 Ohms±10%

Pins 9-7 1.45 Ohms+10%/-15%

THD: -60dB typ @1KHz

INSERTION LOSS: 1dB Max @40KHz

LONGITUDINAL BALANCE: 50dB Min. @1KHz-300KHz

ISOLATION VOLTAGE: 2050VAC for 1 sec between 1-9 (tie 2+4)

PROPRIETARY Document is the property of XFMRs Group & is not allowed to be duplicated without authorization.

XFMRs Inc www.XFMRs.com		Title: HDSL TRANSFORMER	
UNLESS OTHERWISE SPECIFIED TOLERANCES: .xxx ±0.010 Dimensions in INCH	P/N: XF1313-28HDS		REV. B
	DWN.	Mei Chen	Oct-27-10
	CHK.	YK Liao	Oct-27-10
SHEET 1 OF 1	APP.	Joe Huff	Oct-27-10